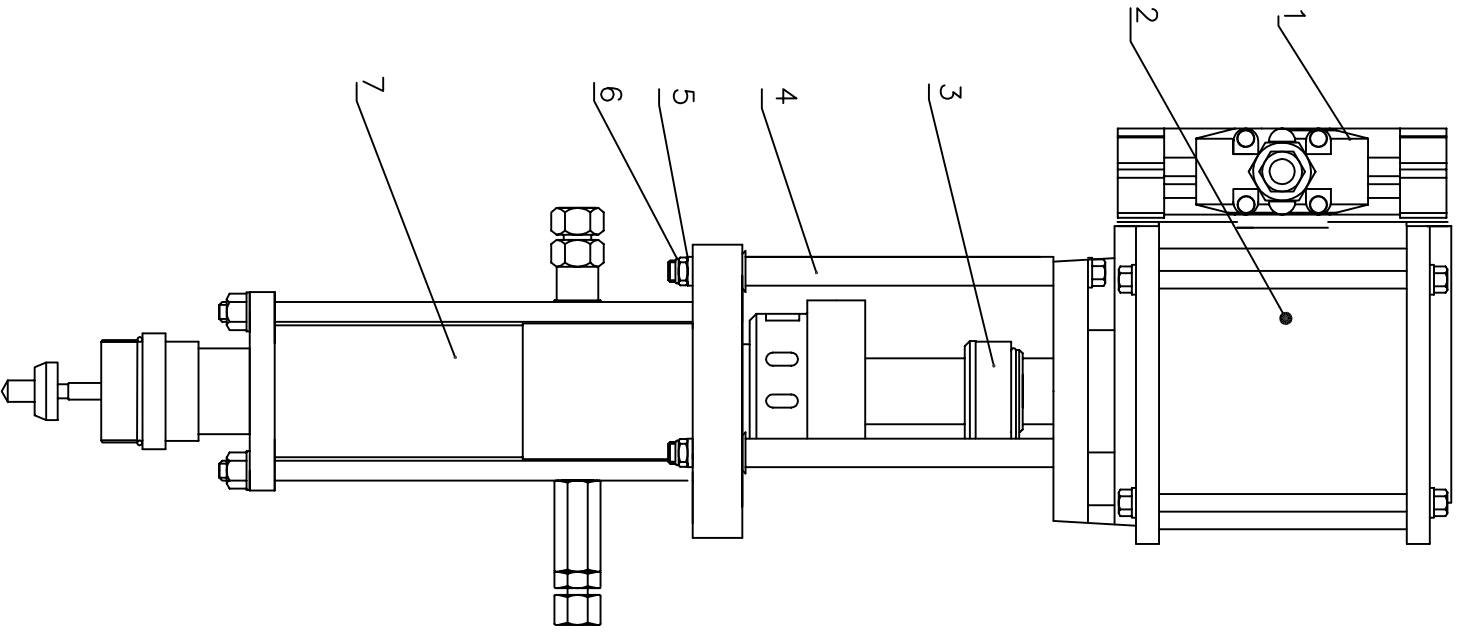


NEW SL MOTOR CONVERSION FROM OLD MOTOR

	PART NAME	OLD MOTOR	NEW SL MOTOR
2	AIR SEAL	01 110 018 00	01 110 018 57

14	STUD	01 160 012 19	4	
13	WASHER	01 160 016 19	8	
12	TOP CASTING	01 160 013 02	1	
11	CYLINDER	01 160 002 19	1	
10	NUT M16	01 110 012 19	1	
9	O RING	01 160 003 25	1	Y
8	PISTON DISC	01 160 004 01	1	
7	PISTON ROD	01 110 015 19	1	
6	SENSING VALVE	01 110 002 00	2	Y
5	O RING	01 160 005 25	2	Y
4	BOTTOM CASTING	01 160 014 02	1	
3	NUT (M6X1)	15 207 008 19	4	
2	AIR SEAL	01 110 018 57	1	Y
1	CIRCLIP	01 110 022 19	1	
S.NO	PART NAME	PART NUMBER	QTY	W&T

RAW MATERIAL DESCRIPTION		NOTE:	
SIZE		ALL DIM. ARE IN MM UNLESS OTHERWISE STATED. FOR OPEN TOLERANCE AND SURFACE ROUGHNESS SEE STANDARD CHART DD-01/CH-01. REMOVE SHARP CORNERS, IN CASE OF DOUBT ASK.	
LENGTH			
MAT.			
VR COATINGS PVT.LTD. J-138, MIDC, BHOSARI, PUNE-411 026 INDIA		SIGN	Gautam
		DATE	
		DRN.	CKD.
		APPD.	
		PART NAME	AIR MOTOR D160 S120
		PART NO.	01 160 000 00
		SCALE	NOT TO SCALE



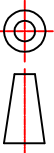
S.NO.	PART NAME	PART NUMBER	QTY.
7	SELF PRIMING PISTON PUMP	33 150 000 00	1
6	NUT M10	15 212 014 07	6
5	WASHER M10	19 002 014 07	6
4	TIE ROD	09 003 019 19	3
3	COUPLING	09 001 000 00	1
2	AIR MOTOR 160	01 160 000 00	1
1	CONTROL BLOCK	02 081 000 00	1

PARTS LIST

RAW MATERIAL DESCRIPTION NOTE:

SIZE		
LENGTH		
MAT.		

ALL DIMN. ARE IN MM UNLESS OTHERWISE STATED. FOR OPEN TOLERANCE AND SURFACE ROUGHNESS SEE STANDARD CHART DD-01/CH-01. REMOVE SHARP CORNERS. INCREASE OF DOUBT ASK.

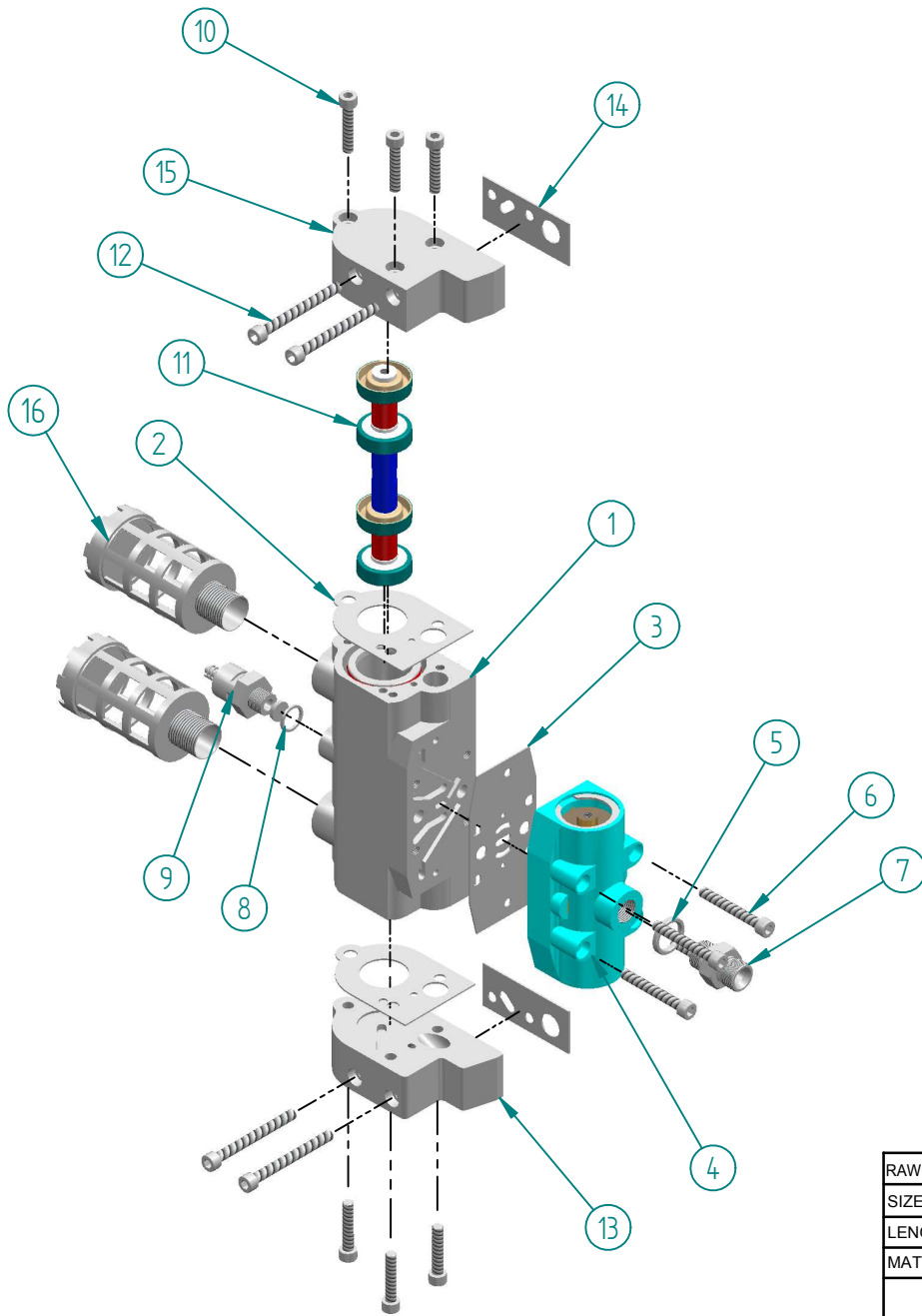


**VR COATINGS**  
 J-138, MIDC, BHOSARI, PUNE-411 026  
 INDIA

SIGN \_\_\_\_\_ DATE \_\_\_\_\_  
 DRN. \_\_\_\_\_ APPD. \_\_\_\_\_

PART NAME TIGER 30.150 D  
 PART NO. 39 030 150 01

SCALE NOT TO SCALE



16	SILENCER 1/2" FESTO/KUSHACO	72 080 007 00	2	
15	TOP BLOCK	02 080 001 01	1	
14	GASKET	02 080 010 31	2	Y
13	BOTTOM BLOCK	02 080 004 02	1	
12	ALLEN BOLT (M6X60)	15 360 008 19	4	
11	SLIDER	02 081 003 00	1	Y
10	ALLEN BOLT (M6X31)	15 331 008 19	6	
9	AIR SAFETY VALVE 1/4"	20 043 000 00	1	
8	WASHER 1/4"	19 002 001 20	1	
7	CONNECTOR 3/8"x1/4"	14 002 002 07	1	
6	ALLEN BOLT (M6X45)	15 345 008 19	4	
5	CU WASHER	20 011 011 04	1	
4	SIDE BLOCK ASSEMBLY	02 081 001 00	1	
3	SIDE GASKET	02 081 009 31	1	Y
2	MIDDLE GASKET	02 080 009 31	2	Y
1	MIDDLE BLOCK	02 081 002 00	1	
S.NO	PART NAME	PART NUMBER	QTY	W&T

RAW MATERIAL DESCRIPTION		NOTE:					
SIZE		ALL DIMN. ARE IN MM UNLESS OTHERWISE STATED. FOR OPEN TOLERANCE AND SURFACE ROUGHNESS SEE STANDARD CHART DD-01/CH-01. REMOVE SHARP CORNERS. INCASE OF DOUBT ASK.					
LENGTH							
MAT.							
<b>VR COATINGS PVT.LTD.</b> J-138, MIDC, BHOSARI, PUNE-411 026 INDIA		DRN.	CKD.	APPD.	PART NAME	CONTROL BLOCK	
		SIGN	Dhaval			PART NO.	02 081 000 00
		DATE					
		SCALE	NOT TO SCALE				



# INSTRUCTIONS MANUAL



*Keep for future use!*



## **DRUMPRESS 20LITRE TIGER 40.110D**

Serial Number:

***VR EUROPE srl***

Coating And Fluid Handling Equipments.

European Assembly Plant 45100,Rovigo (ITALY)

Via Mercante, 54.Tel:+39 0362 33 52 07 Fax :- +39 0362 31 09 25

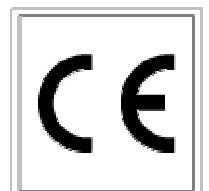
Main Manufacturing



***VR COATINGS PVT.LTD.***

**J-138,MIDC PUNE – 411 026,INDIA.**

TEL: (020)27122331, 27121890 FAX : (020) 27121891,  
27475273 E-MAIL: [vfdsouza@vsnl.com](mailto:vfdsouza@vsnl.com)





# INSTRUCTIONS MANUAL



*Keep for future use!*



## **DRUMPRESS 20LITRE TIGER 30.150D**

Serial Number:

**VR EUROPE srl**

Coating And Fluid Handling Equipments.

European Assembly Plant 45100,Rovigo (ITALY)

Via Mercante, 54.Tel:+39 0362 33 52 07 Fax :- +39 0362 31 09 25

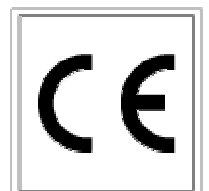
Main Manufacturing

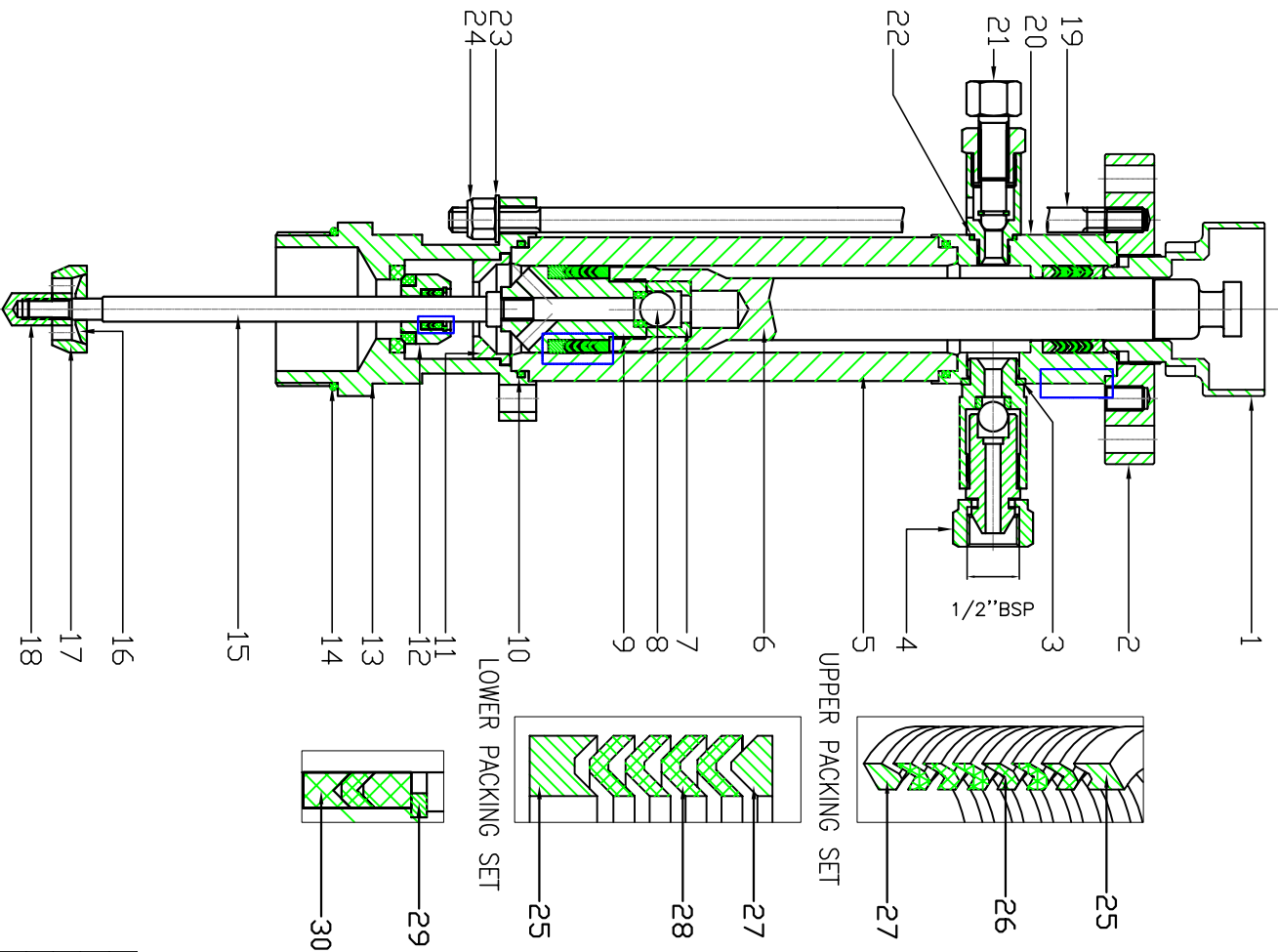


**VR COATINGS PVT.LTD.**

**J-138,MIDC PUNE – 411 026,INDIA.**

TEL: (020)27122331, 27121890 FAX : (020) 27121891,  
27475273 E-MAIL: [vfdsouza@vsnl.com](mailto:vfdsouza@vsnl.com)





S.NO.	PART NAME	PART NUMBER	QTY.	W & T
30	PACKING SET	33 110 017 00	1	Y
29	CIRCLIP B 16	19 004 016 19	1	
28	LOWER PACKING SET	04 110 015 00	1	Y
27	MALE PACKING CAP	04 110 005 19	3	
26	UPPER PACKING SET	04 110 004 00	1	Y
25	FEMALE PACKING CAP	04 110 003 19	1	
24	NUT M10	15 210 014 07	4	
23	WASHER M10	19 002 014 07	4	
22	WASHER(Ø13×15)	04 040 004 04	1	
21	NEEDLE VALVE	33 275 038 00	1	
20	SPACER	33 110 018 19	1	
19	STUD(M10×275)	04 110 019 19	4	
18	NUT	33 110 030 19	1	
17	BOTTOM DISC	33 110 024 17	1	
16	BOTTOM SEAT	33 110 023 17	1	
15	PRIMING PISTON	33 110 026 19	1	
14	O RING(Ø52×Ø3)	28 040 024 28	1	Y
13	SUCTION FLANGE	33 110 031 00	1	
12	SEAT	33 110 032 00	1	
11	STOPPER	33 110 029 17	1	
10	PACKING RING	04 110 007 21	2	Y
9	PISTON SEAT	33 110 003 00	1	
8	BALL	04 210 013 05	1	
7	PISTON BALL GUIDE	33 110 002 19	1	
6	PISTON	33 110 001 19	1	
5	CYLINDER	04 110 010 19	1	
4	SWIVEL CONNECTOR NRV	04 110 060 00	1	
3	WASHER(Ø21×4)	04 110 017 04	1	
2	TOP FLANGE	04 110 002 19	1	
1	OIL CUP	04 110 056 19	1	

PARTS LIST

RAW MATERIAL DESCRIPTION NOTE:

ALL DIMN. ARE IN MM UNLESS OTHERWISE STATED. FOR OPEN TOLERANCE AND SURFACE ROUGHNESS SEE STANDARD CHART DD-01/CH-01. REMOVE SHARP CORNERS. INCASE OF DOUBT ASK.

SIZE			DRN. APPD.	PART NAME <b>SELF PRIMING PISTON PUMP</b>
LENGTH	ASSEMBLY			
MAT.			SIGN DATE <i>Y. G. K. M.</i>	PART NO. <b>33 110 000 00</b>

**VR COATINGS PVT. LTD.**  
 J-138, MIDC, BHOSARI, PUNE-411 028  
 INDIA  
 SCALE: NOT TO SCALE