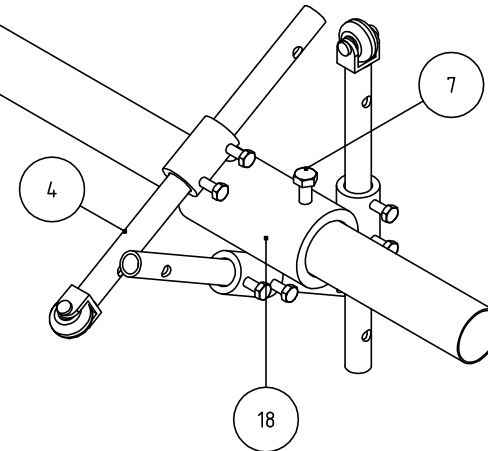


18	MONTAGEM DO SUPORTE DA RODA	06 012 104 00	1	
17	MONTAGEM DE TUBOS	06 012 053 00	1	
16	PISTOLA AUTOMÁTICA AIRLESS	06 004 000 02	1	
15	ADAPTADOR DE PISTOLA	06 012 067 19	1	
14	CONEXÃO MANGUEIRA 1/4"	11 051 020 00	1	
13	PORCA M10	15 212 014 07	3	
12	JOELHO 1/4"	34 002 001 07	1	
11	CONECTOR 1/4" X 1/4"	14 001 001 07	1	
10	TIRANTE	06 012 069 07	3	
9	PORCA M10	15 113 014 07	3	
8	ARRUELA M10	19 002 014 07	3	
7	PARAFUSO M10	15 430 014 07	5	
6	TAMPA DA CAIXA DE ENGRENAGENS	06 001 081 00	1	
5	PARAFUSO M8	15 420 009 07	12	
4	MONTAGEM DO SUPORTE DA RODA	06 012 024 00	6	
3	CONECTOR 3/8" X 1/4"	14 001 002 07	2	
2	JOELHO 3/8"	34 002 002 07	2	
1	CONJUNTO BICO ROTATIVO	06 012 117 00	1	
S.NO.	PART NAME	PART NUMBER	QTY.	W & T
PARTS LIST				



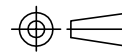
ALL DIMN. ARE IN MM UNLESS OTHERWISE STATED. FOR OPEN TOLERANCE AND SURFACE ROUGHNESS SEE STANDARD CHART DD-01/CH-01. REMOVE SHARP CORNERS. INCASE OF DOUBT ASK.

NOTE FOR PIPE ID ABOVE 300

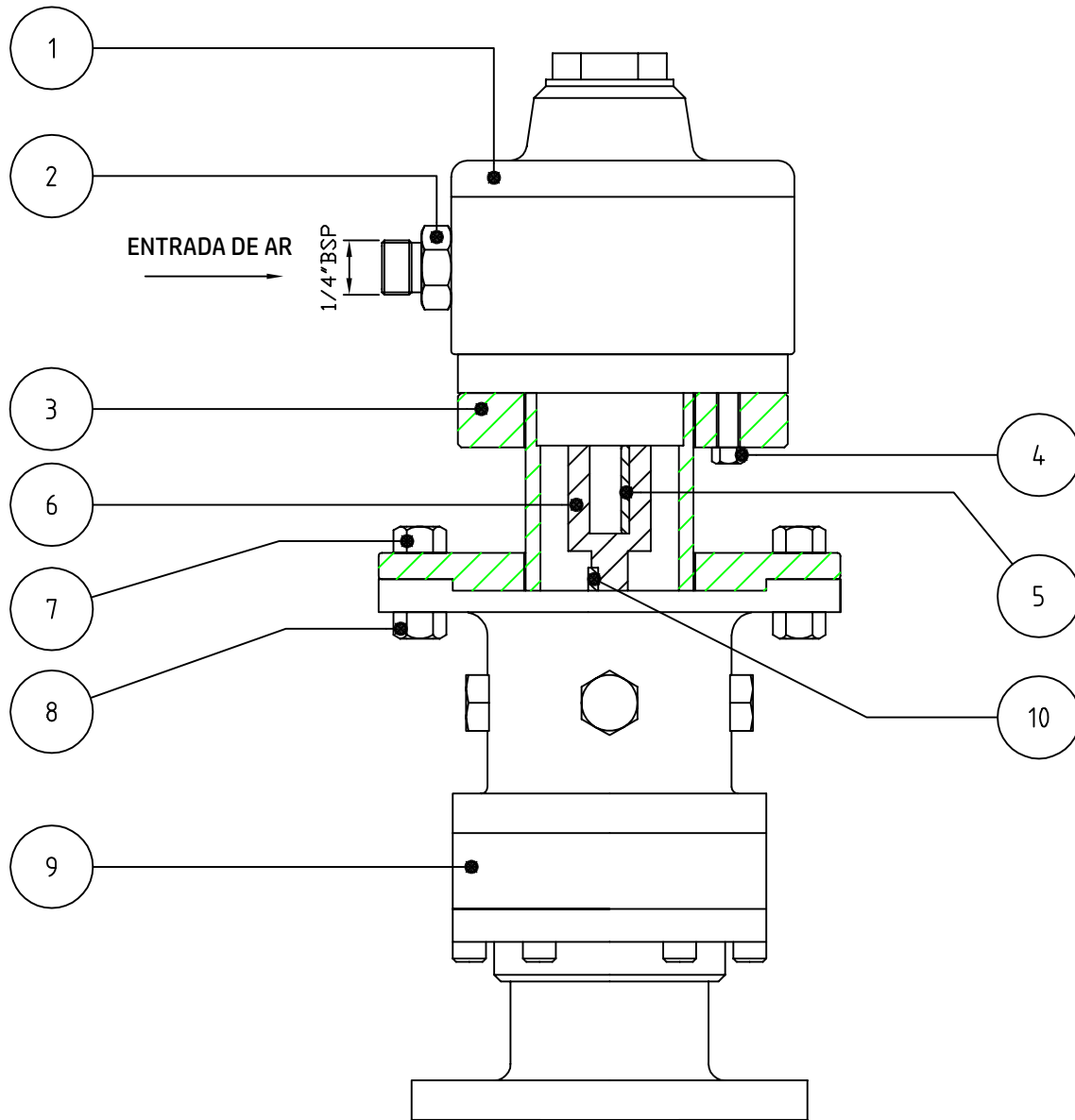
RAW MATERIAL DESCRIPTION	
SIZE	LENGTH
MAT.	

 VR COATINGS PVT LTD

DRN.	APPD.
SIGN	
DATE	
SCALE	NOT TO SCALE

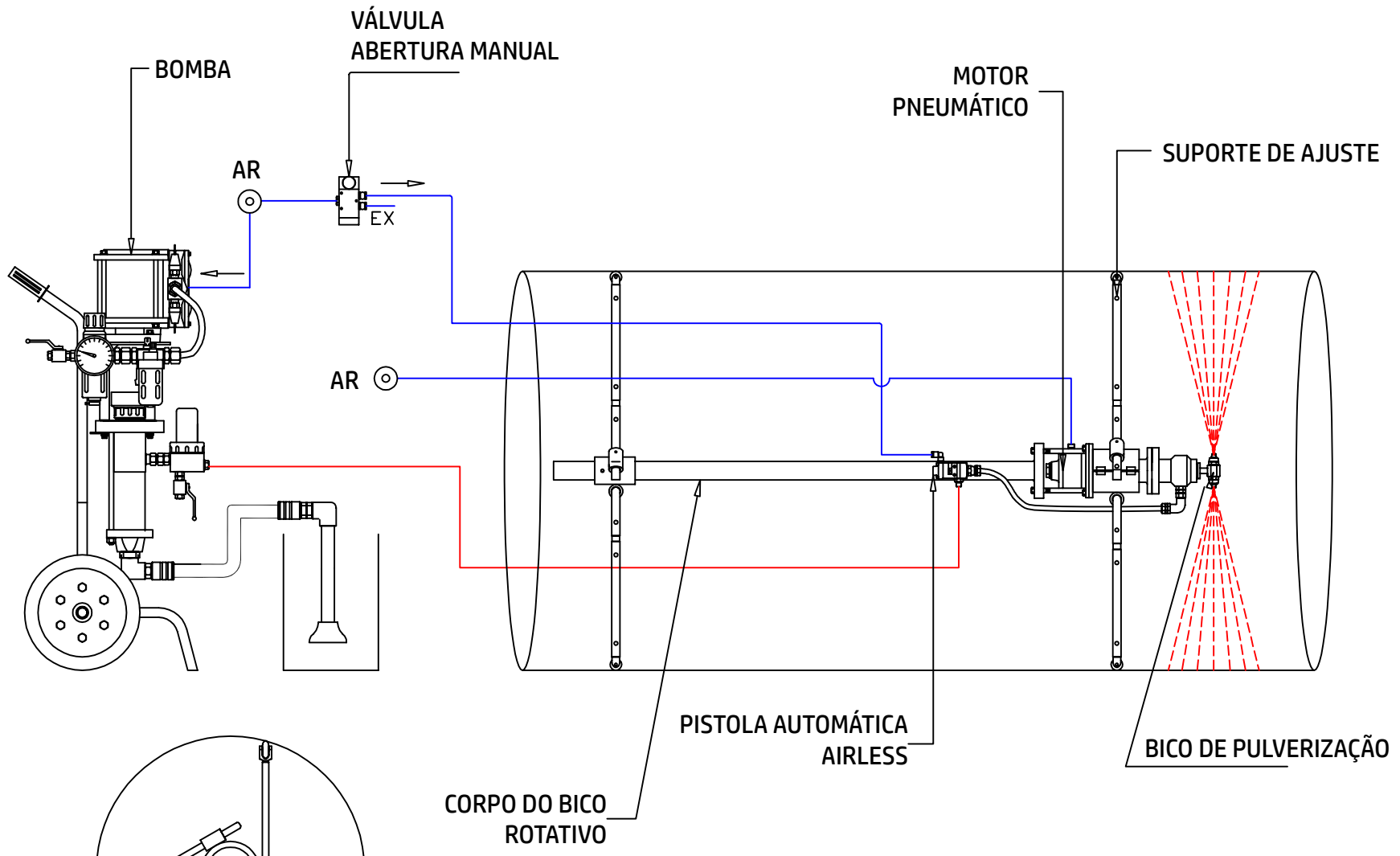


PART NAME	ROTATING NOZZLE ARRANGEMENT
PART NUMBER	06 012 000 05

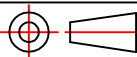



10	CHAVE DA CAIXA DE VELOCIDADE	06 012 063 07	1
9	CAIXA DE ENGRENAGEM PLANETÁRIA	06 012 071 00	1
8	PORCA M8	15 210 009 07	4
7	PARAFUSO M8	15 425 009 07	4
6	ADAPTADOR DO EIXO DO MOTOR	06 012 063 07	1
5	CHAVE DO MOTOR PNEUMÁTICO	06 012 075 08	1
4	PARAFUSO M6	15 420 008 07	3
3	CARÇA DO MOTOR	06 012 117 00	1
2	CONECTOR 1/4" X 1/4"	14 001 001 07	1
1	MOTOR PNEUMÁTICO 1.5 HP	26 001 000 00	1
Item	PART NAME	PART NUMBER	QTY.
Parts list			

RAW MATERIAL DESCRIPTION	NOTE:																				
SIZE	FOR STIRRER & ROTATING NOZZLE ASSEMBLY																				
LENGTH																					
MAT.																					
ALL DIMN. ARE IN MM UNLESS OTHERWISE STATED. FOR OPEN TOLERANCE AND SURFACE ROUGHNESS SEE STANDARD CHART DD-01/CH-01. REMOVE SHARP CORNERS. INCASE OF DOUBT ASK.																					
J-138, MIDC, BHOSARI, PUNE-411 026 INDIA																					
<table border="1" style="width: 100%;"> <thead> <tr> <th></th> <th>DRN.</th> <th>APPD.</th> <th>PART NAME</th> <th>PNEUMATIC GEARED MOTOR 1.5HP</th> </tr> </thead> <tbody> <tr> <td>SIGN</td> <td><i>F8203</i></td> <td></td> <td>PART NO.</td> <td>06 012 078 00</td> </tr> <tr> <td>DATE</td> <td></td> <td></td> <td></td> <td></td> </tr> <tr> <td>SCALE</td> <td colspan="2">NOT TO SCALE</td> <td></td> <td></td> </tr> </tbody> </table>			DRN.	APPD.	PART NAME	PNEUMATIC GEARED MOTOR 1.5HP	SIGN	<i>F8203</i>		PART NO.	06 012 078 00	DATE					SCALE	NOT TO SCALE			
	DRN.	APPD.	PART NAME	PNEUMATIC GEARED MOTOR 1.5HP																	
SIGN	<i>F8203</i>		PART NO.	06 012 078 00																	
DATE																					
SCALE	NOT TO SCALE																				



VISTA LATERAL DAS PERNAS DE APOIO

RAW MATERIAL DESCRIPTION		NOTE: INTERNAL PIPE COATING SYSTEM ABOVE 300mm PIPE			
SIZE		 ALL DIMN. ARE IN MM UNLESS OTHERWISE STATED. FOR OPEN TOLERANCE AND SURFACE ROUGHNESS SEE STANDARD CHART DD-01/CH-01. REMOVE SHARP CORNERS. INCASE OF DOUBT ASK.			
LENGTH					
MAT.					
 <b>VR COATINGS</b> J-138, MIDC, BHOSARI, PUNE-411 026 INDIA		DRN.	APPD.	PART NAME ROTATING NOZZLE ARRANGEMENT	
		SIGN		PART NO.	
		DATE		SCALE NOT TO SCALE	