



VR COATINGS PVT. LTD.

J-138, MIDC PUNE-411 026
 INDIA. TEL: (020) 27130331, 27130196
 FAX: (020) 30781051
 E-MAIL: vrcoatings@eth.net

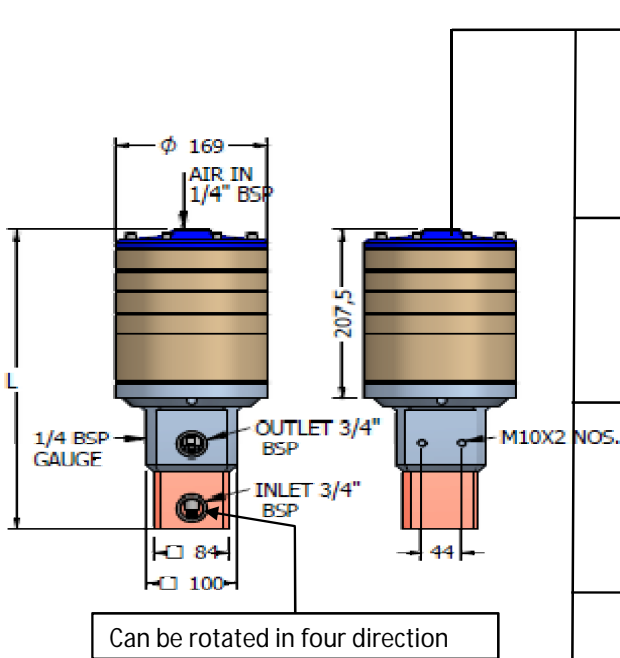
No Contractual Document. Specification and features subject to change without notice.

MULTIPLATE HIGH PRESSURE REGULATORS

**Maxi. Inbound Pressure - 400 bar
 Regulated Pressure - 8 to 200 bar**



DIMENSIONS ARE IN MILLIMETERS UNLESS OTHERWISE STATED



No. Of Plates	Length (L)
5	370
4	343
3	316
2	289
1	262

	PART NO.	REF.
FIVE PLATES	20 033 000 00	PAGE 00
WEAR AND TEAR KIT	20 733 000 00	
FOURE PLATES	20 033 054 00	PAGE 00
WEAR AND TEAR KIT	20 733 054 00	
THREE PLATES	20 033 053 00	PAGE 00
WEAR AND TEAR KIT	20 733 053 00	
TWO PLATES	20 033 052 00	PAGE 00
WEAR AND TEAR KIT	20 733 052 00	
ONE PLATES	20 033 051 00	PAGE 00
WEAR AND TEAR KIT	20 733 051 00	

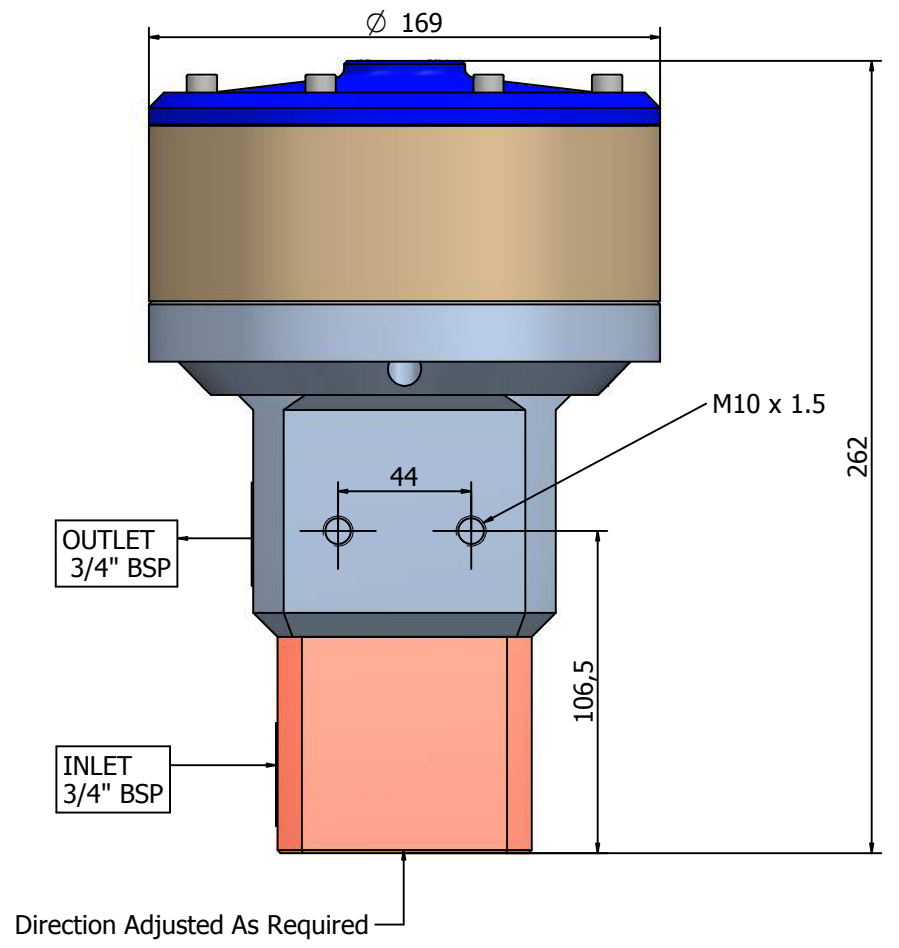
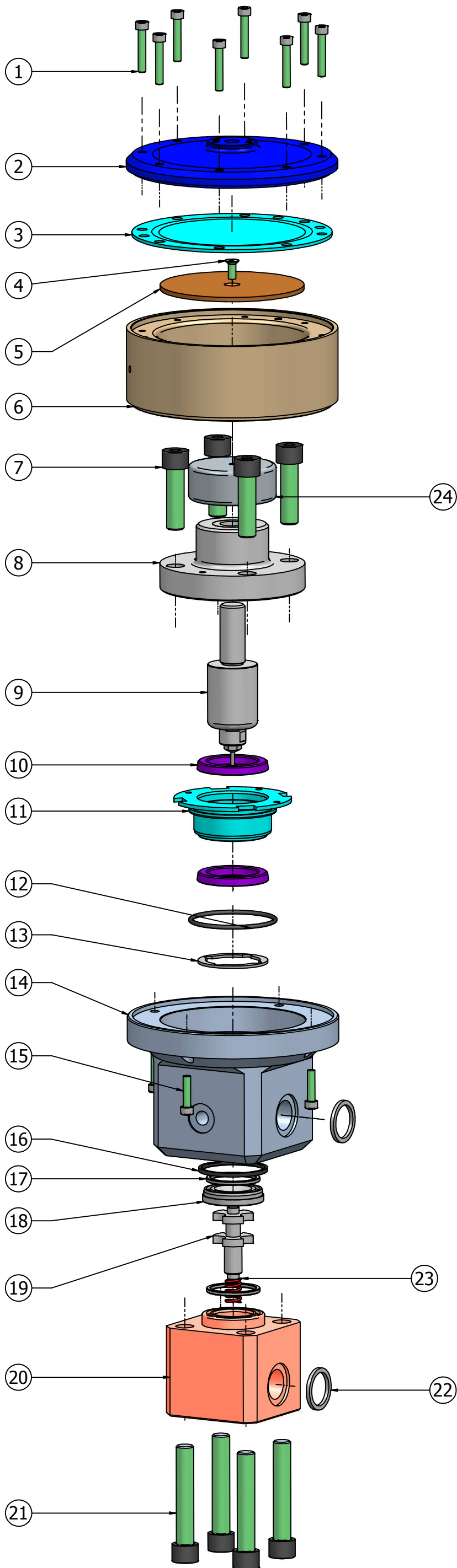
TECHNICAL SPECIFICATION

TABLE - A

No. of Plates	Regulated Pressure
Single Plate	8 to 40 bar
Two Plates	16 to 80 bar
Three Plates	24 to 120 bar
Four Plates	32 to 160 bar
Five Plates	40 to 200 bar

Maximum Inbound Pressure - 400 bar.
 Regulated Pressure- 8 to 200 bar (* Refer table- A)
 Wetted parts - 304 Stainless steel, Tungsten Carbide valve, PTFE.
 Inlet, Outlet , Gauge port - 3/4" BSP, 3/4" BSP, 1/4" BSP.
 Air Inlet pressure max - 6 bar.
 Ball Diam-8mm

DD-01/SD-40-03/0/010214



24	20 033 019 01	SPACER	1	
23	20 033 004 19	SPRING	1	
22	19 002 004 19	WASHER	2	
21	15 380 011 19	ALLEN BOLT M14X80	4	
20	20 033 001 19	BOTTOM HOUSING	1	
19	20 033 002 00.	NEEDLE ASSEMBLY	1	
18	20 033 040 00	CARBIDE BODY	1	
17	20 033 041 21	PACKING	2	Y
16	04 110 007 21	PACKING RING	1	Y
15	15 325 008 19	ALLEN BOLT M6X25	4	
14	20 033 006 19	MIDDLE BODY	1	
13	20 033 020 19	WASHER	1	
12	20 033 013 28	O RING VITON (3.1X64.4)	1	
11	20 033 009 19	PACKING HOUSING	1	
10	20 033 012 21	ROD U SEAL 40X 56 X 7	2	Y
9	20 033 005 00	TOP NEEDLE ASSEMBLY	1	
8	20 033 003 00	BEARING ASSEMBLY	1	
7	15 350 011 19	ALLEN BOLT M14X50	4	
6	20 033 018 01	DISTANCE PIECE	1	
5	20 033 007 01	SUPPORT PIECE	1	
4	15 515 008 19	M6x15mm CSK SCREW	1	
3	20 033 008 41.	DIAPHRAGM	1	Y
2	20 033 010 01	TOP CAP	1	
1	15 335 008 19	ALLEN BOLT (M6X35)	8	
SR.NOS.	PART NO.	PART NAME.	QTY.	W&T

RAW MATERIAL DESCRIPTION		NOTE:		SINGLE PLATE WITH REGULATED PRESSURE RANGE -8 TO 40BAR		
SIZE		ALL DIMN. ARE IN MM UNLESS OTHERWISE STATED. FOR OPEN TOLERANCE AND SURFACE ROUGHNESS SEE STANDARD CHART DD-01/CH-01. REMOVE SHARP CORNERS. INCASE OF DOUBT ASK.				
LENGTH						
MAT.						
VR COATINGS PVT.LTD. J-138, MIDC, BHOSARI, PUNE-411 026 INDIA		DRN.	CKD.	APPD.	PART NAME	
		SIGN	RAJIV	ALBERT	NVD	MULTIDISC REGULATOR-PLATE-1
		DATE			PART NO.	
		SCALE	NOT TO SCALE		20 033 051 00	